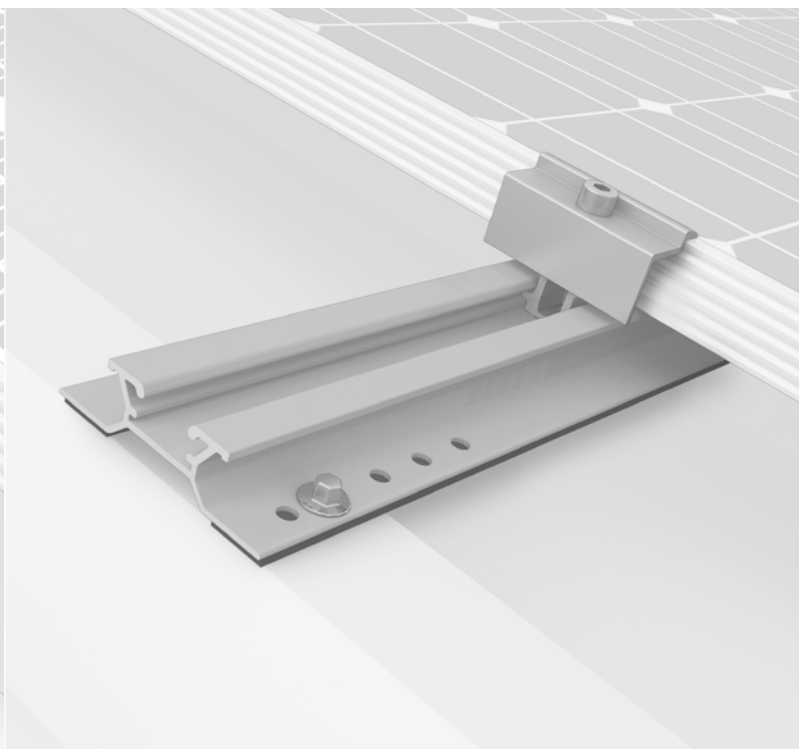
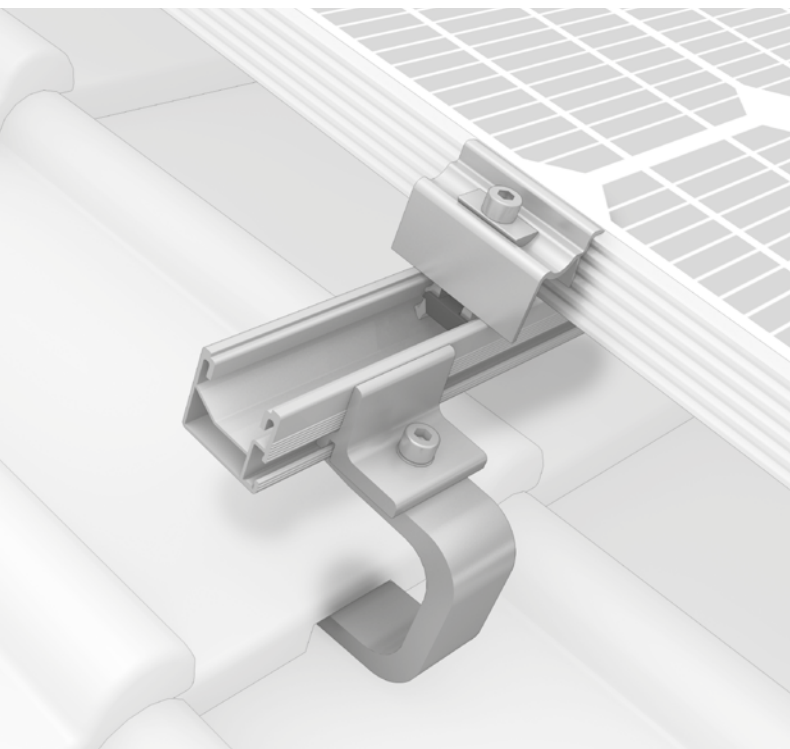


PITCHED ROOF SYSTEMS





		Pantiles	Plain tile	Slate	Trapezoidal sheet metal	Sandwich panel	Corrugated sheet metal	Corrugated fibre cement	Standing seam roof
▶ SingleRail System	4	●	○	○	○	○	○	●	●
▶ SolidRail System	6	●	●	●	●	○	○	●	●
▶ Insertion System	8	●	○	○	○	○	○	●	○
▶ MiniRail System	10	○	○	○	●	●	○	○	○
▶ SpeedRail System	12	○	○	○	●	●	○	○	○
▶ MultiRail System	14	○	○	○	●	●	○	○	○
▶ S-Dome Small System	16	○	○	○	●	○	○	○	○
▶ Overview of roof fastenings	18								
▶ Accessories	22								

● Suitable ○ Unsuitable

WARRANTY

We offer a 12-year warranty on all K2 system components.
k2-systems.com/en/guarantee

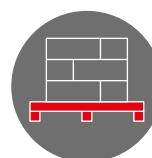


STATICS AND DESIGN LOADS

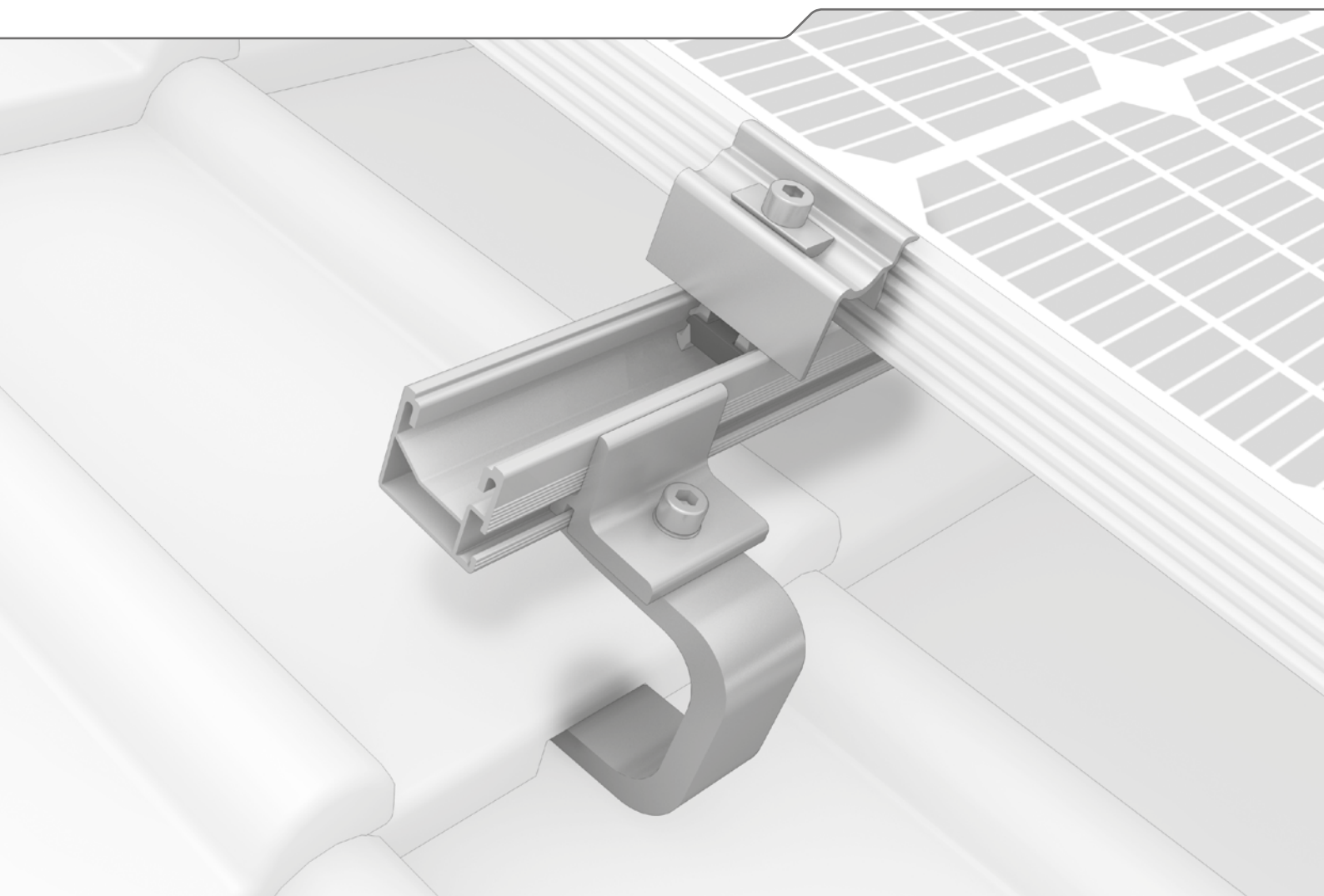
K2 mounting systems fulfil the calculation principles in accordance with Eurocode 1 and 9.

PALLET DELIVERY

Many mounting systems are delivered in pallets to save space and costs.



SingleRail System



- ▶ Quick and low-cost with direct lateral connections to the rail without additional components including customised height adjustment
- ▶ Secure snap-in assembly – without needing to be screwed into the base plate
- ▶ The SingleRail in combination with CrossHook roof hooks is very durable and versatile

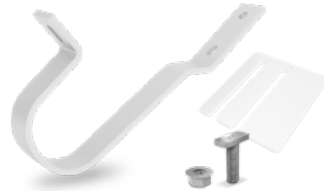


ROOF FASTENINGS: HANGER BOLTS AND ROOF HOOKS



SingleHook 1.1

- ▶ For pantiles
- ▶ Easy height adjustment with slotted bore hole
- ▶ Also suitable for narrow rafters
- ▶ Connects directly to SingleRail



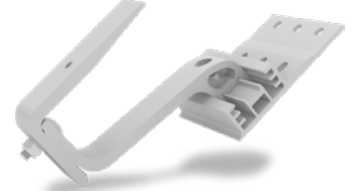
SingleHook FT

- ▶ For flat tiles and pantiles
- ▶ Applicable on small rafters and independent from rafters
- ▶ Connects directly to SingleRail



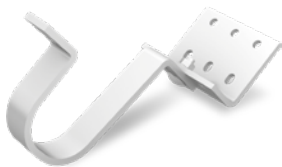
CrossHook 35

- ▶ For pantiles
- ▶ 3 height adjustments in the base plate
- ▶ Also suitable for narrow rafters



CrossHook 45

- ▶ For pantiles
- ▶ 3 height adjustments in the base plate
- ▶ Further height adjustment at the bracket itself.
- ▶ Also suitable for narrow rafters



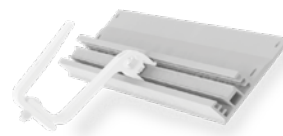
SingleHook Vario

- ▶ For flat tiles and pantiles
- ▶ Height-adjustable at rail connection and battens
- ▶ Connects directly to SingleRail



L-Adapter SR

- ▶ Adapter for special applications
- ▶ Compatible with SingleRail



CrossBoard

- ▶ The easy solution for noggling, skylights etc.
- ▶ Complements CrossHook 35 and 45

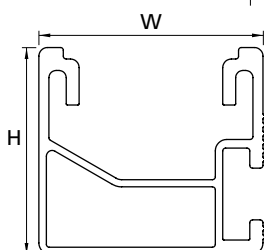


Hanger bolts SR

- ▶ For corrugated fibre cement roofing with wooden substructures
- ▶ With building approval

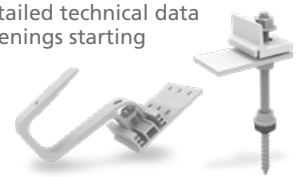
TECHNICAL DATA

	SingleRail 36	SingleRail 50	SingleRail 63
Figure			
Material	Aluminium (EN AW-6063 T66)		
W = width [mm]	39.4	39	47
H = height [mm]	36	50	63
Lengths [m]	2.10/3.15/4.15/6.10	6.10	6.10
Weight [kg/m]	0.76	1.0	1.51
Cross-bracing with	SingleRail or SolidRail		



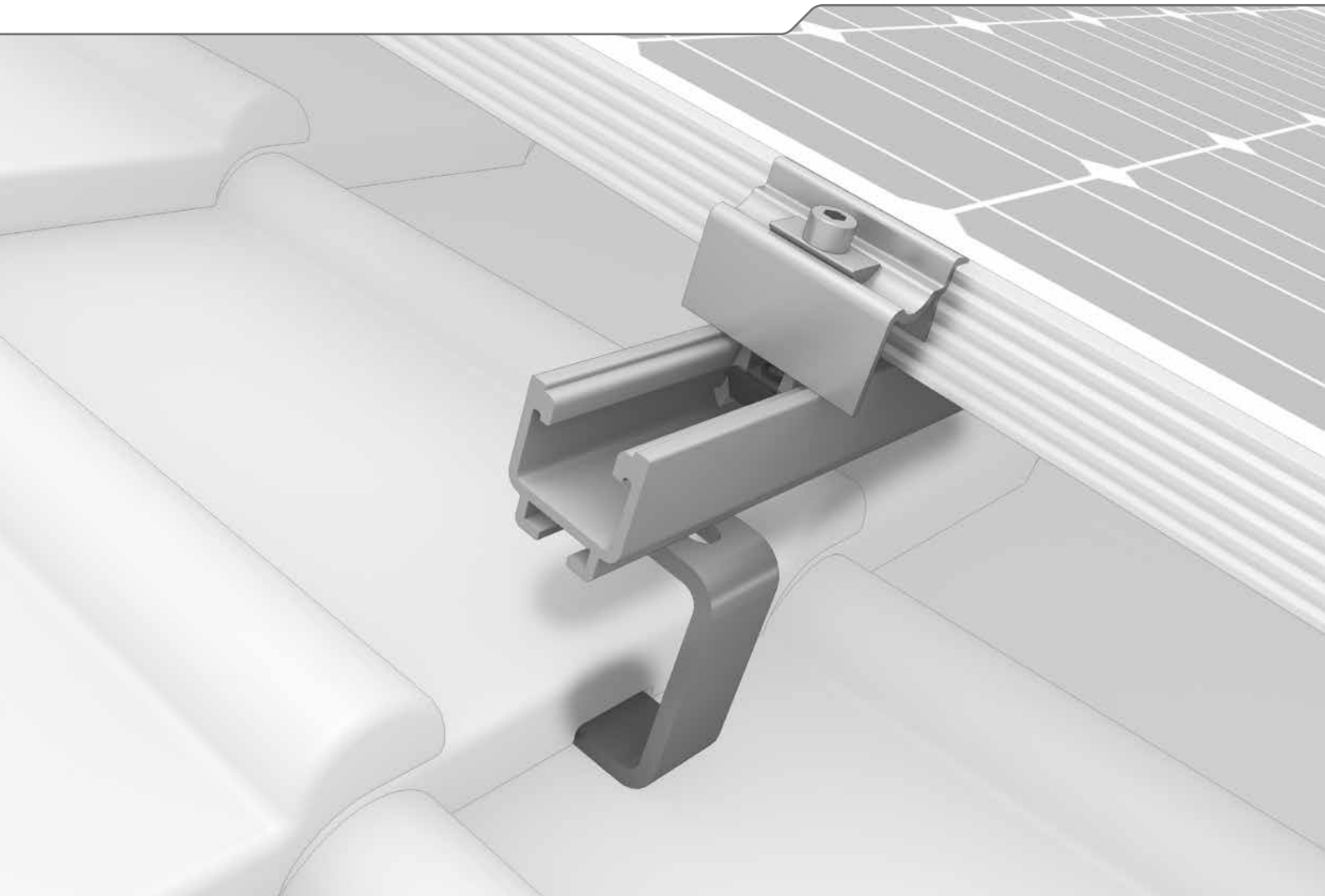
Roof fastenings

You will find detailed technical data on our roof fastenings starting on page 18.



For heavy loads and large spans!

SolidRail System



- ▶ Comprehensive range of mounting rails for varying load profiles
- ▶ Robust and structurally proven
- ▶ High flexibility for a diverse range of widths

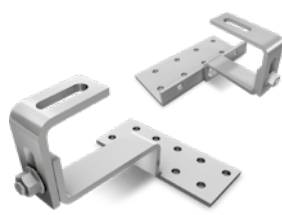


ROOF FASTENINGS



Roof hook for pantiles

- ▶ Various sizes
- ▶ Solid stainless steel design



Vario 1 and 2 roof hooks

- ▶ For pantiles
- ▶ Height-adjustable under bracket and at battens



Roof hook for plain tile roofing

Also for double roofing



Roof hook for slate roofing

Three boreholes for a secure fit



Roof hook for Coppo roofing

- ▶ Height-adjustable under bracket
- ▶ Flexible placement on rafters



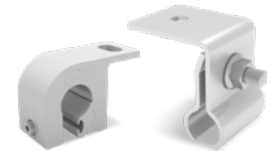
Hanger bolts

- ▶ For corrugated fibre cement or corrugated sheet roofing with wooden substructure
- ▶ Custom height adjustment



Solar fastener

- ▶ For trapezoidal sheet metal, corrugated sheet metal, or corrugated fibre cement roofing
- ▶ For steel, timber or concrete

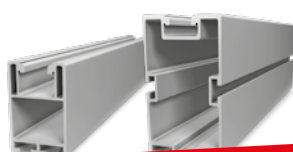
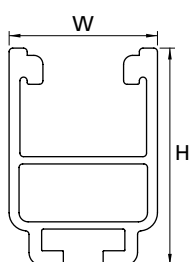


Standing seam clamps

Seam metal clamps for popular standing seam roofs such as Kalzip or Rib-Roof

TECHNICAL DATA

	UltraLight 32	Light 37	Medium 42	Alpine 60
Figure				
Material	Aluminium (EN AW-6063 T66)			
W = width [mm]	39	39	41	41
H = height [mm]	32	37	42	60
Lengths [m]	2.10/3.15/4.15/6.10			
Weight [kg/m]	0.7	0.85	1.3	1.7
Cross-bracing with	SingleRail			



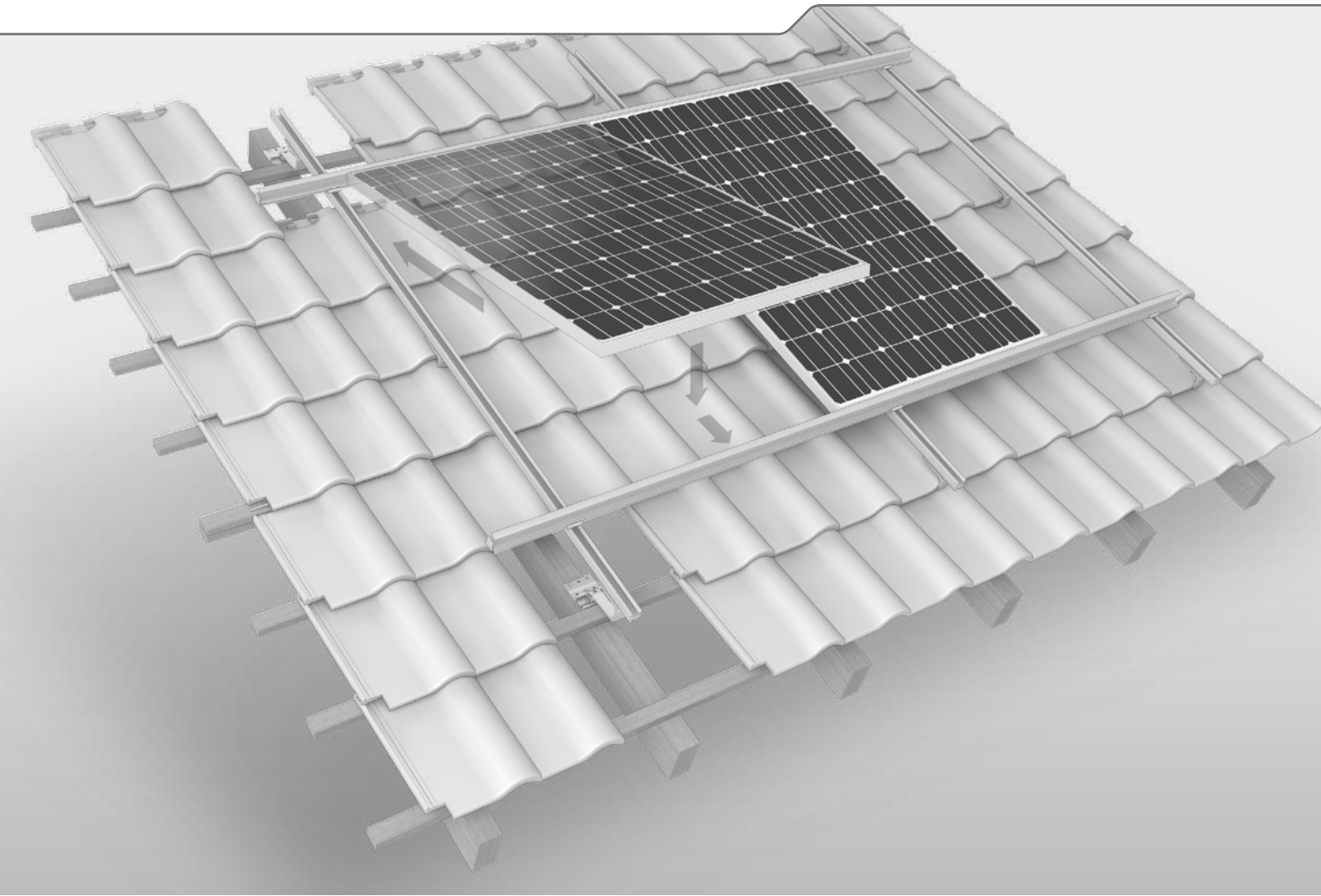
SolidRail LS85 and XL140:
For heavy loads across large widths!

Roof fastenings

You will find detailed technical data on our roof fastenings starting on page 18.



Insertion System

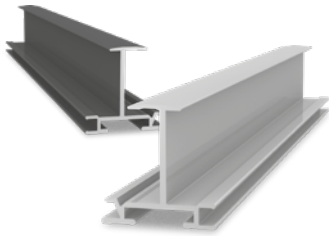


- ▶ Without having to apply clamps eliminates the need for assistance ensuring lightning-fast installation
- ▶ Easy to assemble with few components and without special tools
- ▶ Sleek design with continuous closed surface adds further robustness
- ▶ Insertion profile provides additional frame reinforcement



In cooperation with
solarteam ● 

INSERTION SYSTEM COMPONENTS



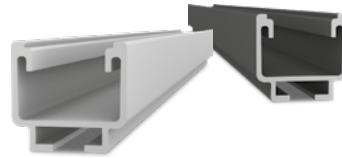
Insertion rails

- ▶ Intelligent solution for efficient module installation
- ▶ Seals surface
- ▶ Available in black



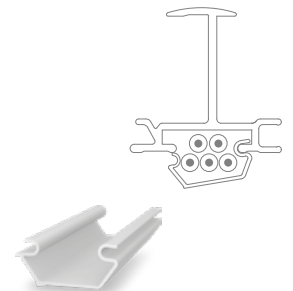
Cross connector

- ▶ Fixation for Alutec insertion rail on SolidRail
- ▶ Simple mounting



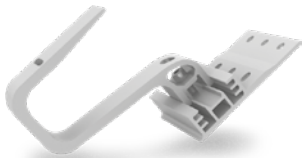
SolidRail

- ▶ Robust mounting rail
- ▶ Different load conditions
- ▶ For large spans
- ▶ Available in black



Cable management

- ▶ Quick cable connection beneath the insertion rail
- ▶ Up to 5 cables



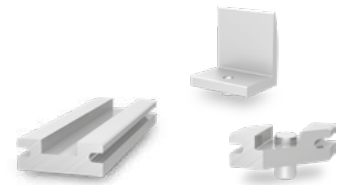
CrossHook 3S+/4S+

- ▶ Height-adjustable and laterally adjustable
- ▶ Also suitable for narrow rafters



Hanger bolt with adapter

For corrugated fibre cement roofing with wooden substructures

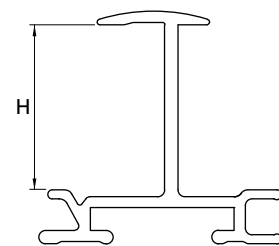


Accessories

- ▶ Connector insertion rail
- ▶ Side stopper
- ▶ Horizontal end bracket

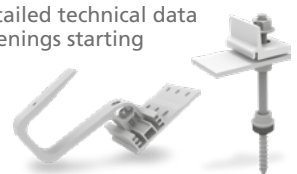
TECHNICAL DATA

	Insertion system
Scope of application	Pitched roofs with pan tiles or corrugated fibre cement
Fastening type / roof connection	Roof hooks or hanger bolts
Module frame heights (H)	<ul style="list-style-type: none"> ▶ 35 mm ▶ 40 mm ▶ More heights on request
Requirements	7 mm spacing between insertion rails
Module orientation	Landscape and portrait
Material	<ul style="list-style-type: none"> ▶ Mounting rails and cross connector: Aluminium EN AW-6063 T66 ▶ Components: stainless steel (1.4301) A2-70
SolidRail lengths [m]	Aluminium mill finish: 4.15 and 6.10 Black anodised: 6.10
Insertion rail lengths [m]	Aluminium mill finish: 5.10 Black anodised: 5.10

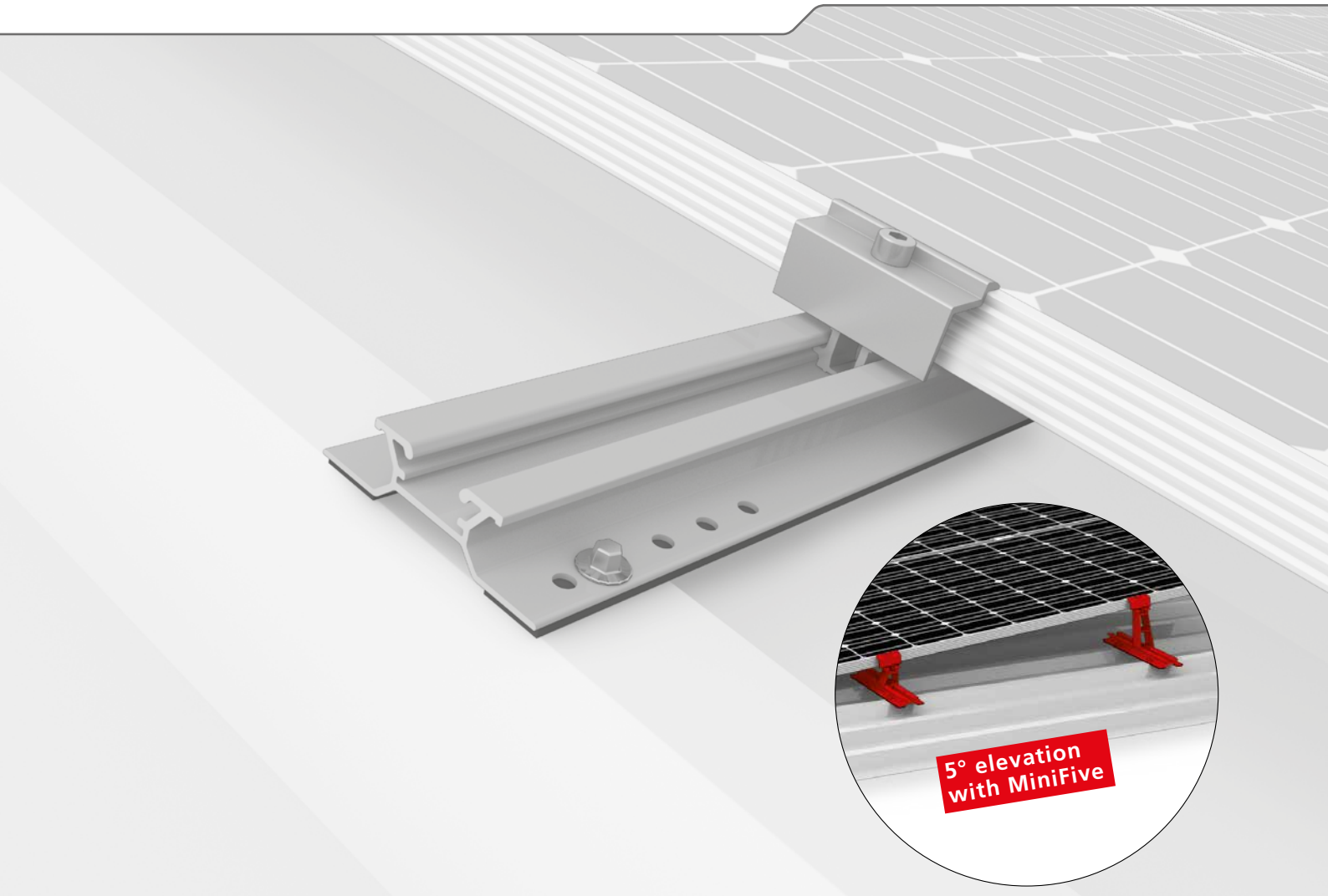


Roof fastenings

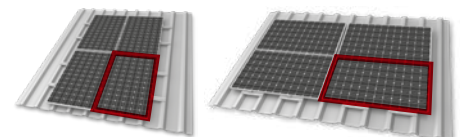
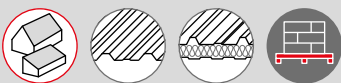
You will find detailed technical data on our roof fastenings starting on page 18.



MiniRail System

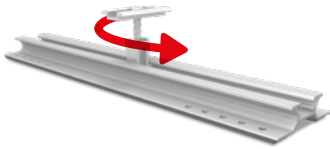


- ▶ Innovative and statically optimised short rail system that is quick and easy to mount
- ▶ Universal module clamps and suitable for portrait and landscape orientation
- ▶ 5° elevation with MiniFive: significantly more output thanks to improved ventilation and optimised module angle
- ▶ Optimised for storage and transport



The MiniRail System allows portrait and landscape mounting in the form of grid mounting thanks to the universal module clamps, which are rotatable by 90°.

MINIRAIL SYSTEM COMPONENTS



MiniRail

Landscape and portrait mounting with MiniClamp MC/EC



MiniClamp MC/EC 30 - 50 mm

- ▶ Universal module clamp
- ▶ Clamp is rotatable



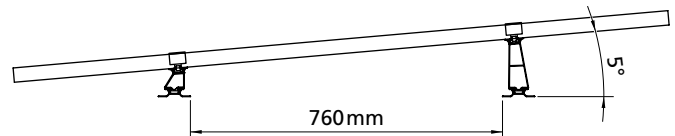
Self-tapping screws

- ▶ Included in MiniRail MC/EC set
- ▶ With sealing washers



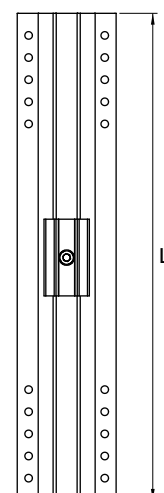
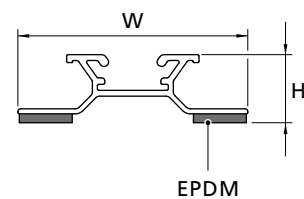
MiniFive front and end

- ▶ Single-sided easy elevation with insertable supporting element
- ▶ Improved ventilation and higher yield
- ▶ Optimised module angle



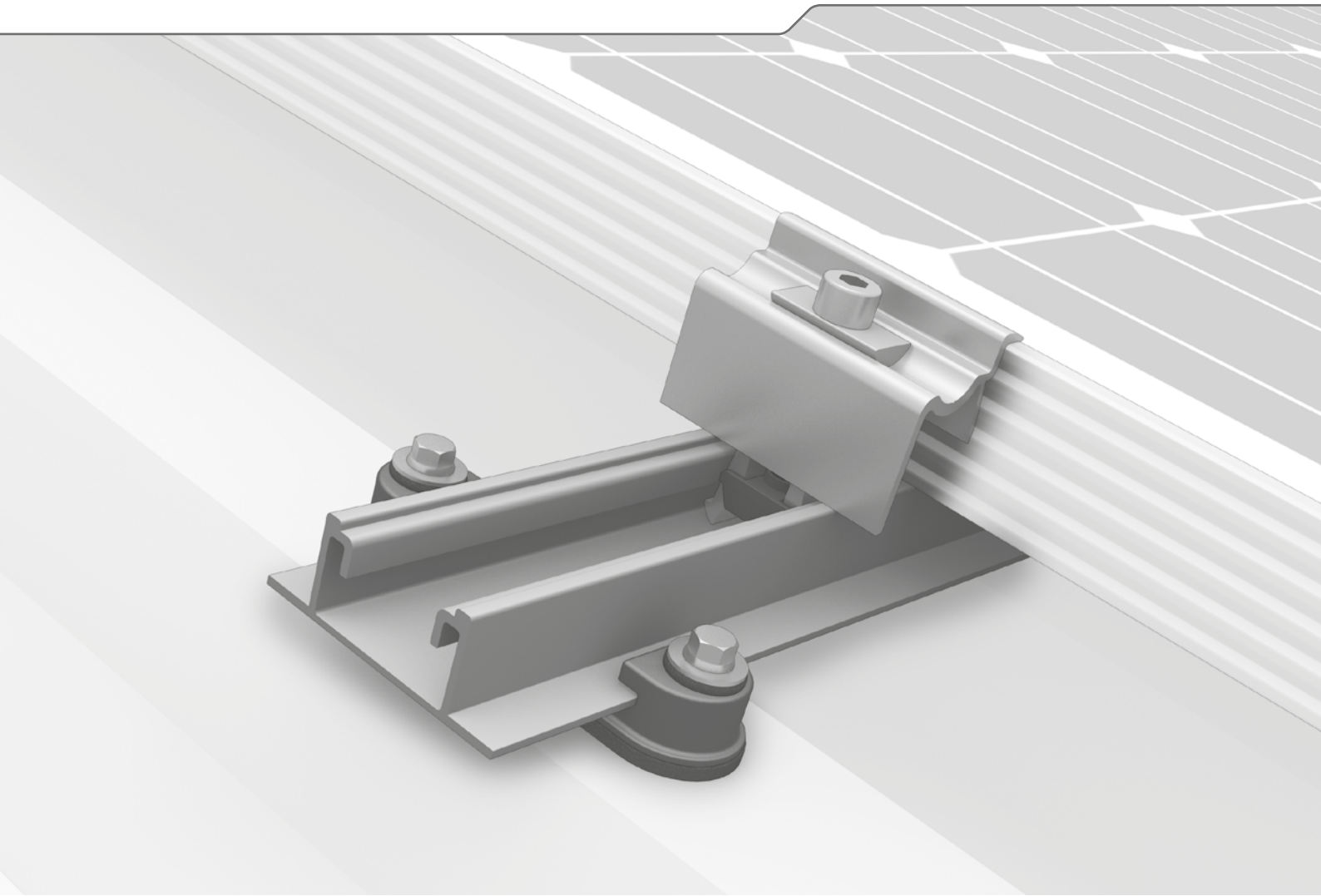
TECHNICAL DATA

MiniRail System	
Scope of application	Pitched roofs with trapezoidal sheet metal or sandwich panels Roof inclination: 5-75°
Fastening type / roof fixture	Screws in roofing with self-tapping thin sheet screws
Requirements	<ul style="list-style-type: none"> ▶ Sheet thickness: ≥ 0.5 mm (steel and aluminium) ▶ Sandwich panel: Approval from manufacturer required ▶ Crest width: At least 22 mm * ▶ Crest spacing: 101 - 350 mm depending on crest width ▶ Flush area surrounding the bore hole: $\varnothing \geq 20$ mm ▶ Module frame height: 30 - 50 mm
Module orientation	Vertical or horizontal
Material	Aluminium (EN AW-6063 T66/ EN AW-6082 T6); EPDM
Dimensions MiniRail W x H x L [mm]	78.2 x 23 x 385
Elevation with MiniFive	approx. 5°



* The project-specific minimum high crest width dimension can be found in the Base On report.

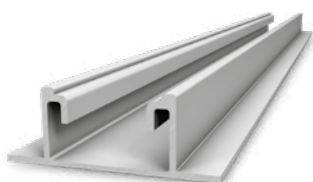
SpeedRail System



- ▶ The proven long rail system for trapezoidal sheet applications as well as floating suspension with controlled thermal linear expansion
- ▶ Our most popular system – over 1 GW installed worldwide
- ▶ All-rounder with only 4 installation steps – also suitable for high loads



SPEEDRAIL SYSTEM COMPONENTS



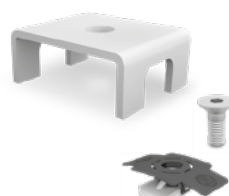
SpeedRail

- ▶ Mounting rail with easy insertion mounting into SpeedClips
- ▶ Various lengths available



SpeedClip

- ▶ Mounting brackets for SpeedRail
- ▶ Simple insertion feature
- ▶ Glass fibre reinforced polyamide with EPDM seals
- ▶ Fastened with self-drilling screws for trapezoidal sheet metal



SpeedLock

- ▶ Mounting lock for SpeedRail in case of thermal expansion
- ▶ In a set with MK2 slot nut and stainless steel screw



SpeedConnector

- ▶ Rail connector for SpeedRail
- ▶ Three boreholes for flexible mounting
- ▶ In a set with countersunk screws

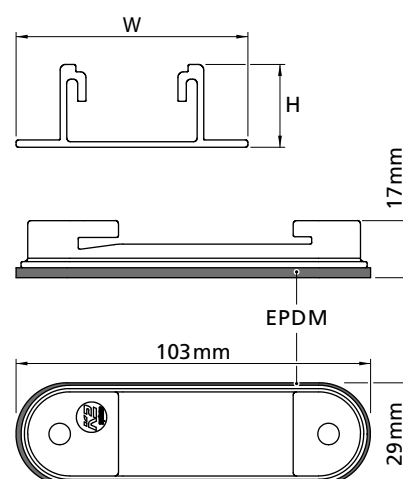


AddOn

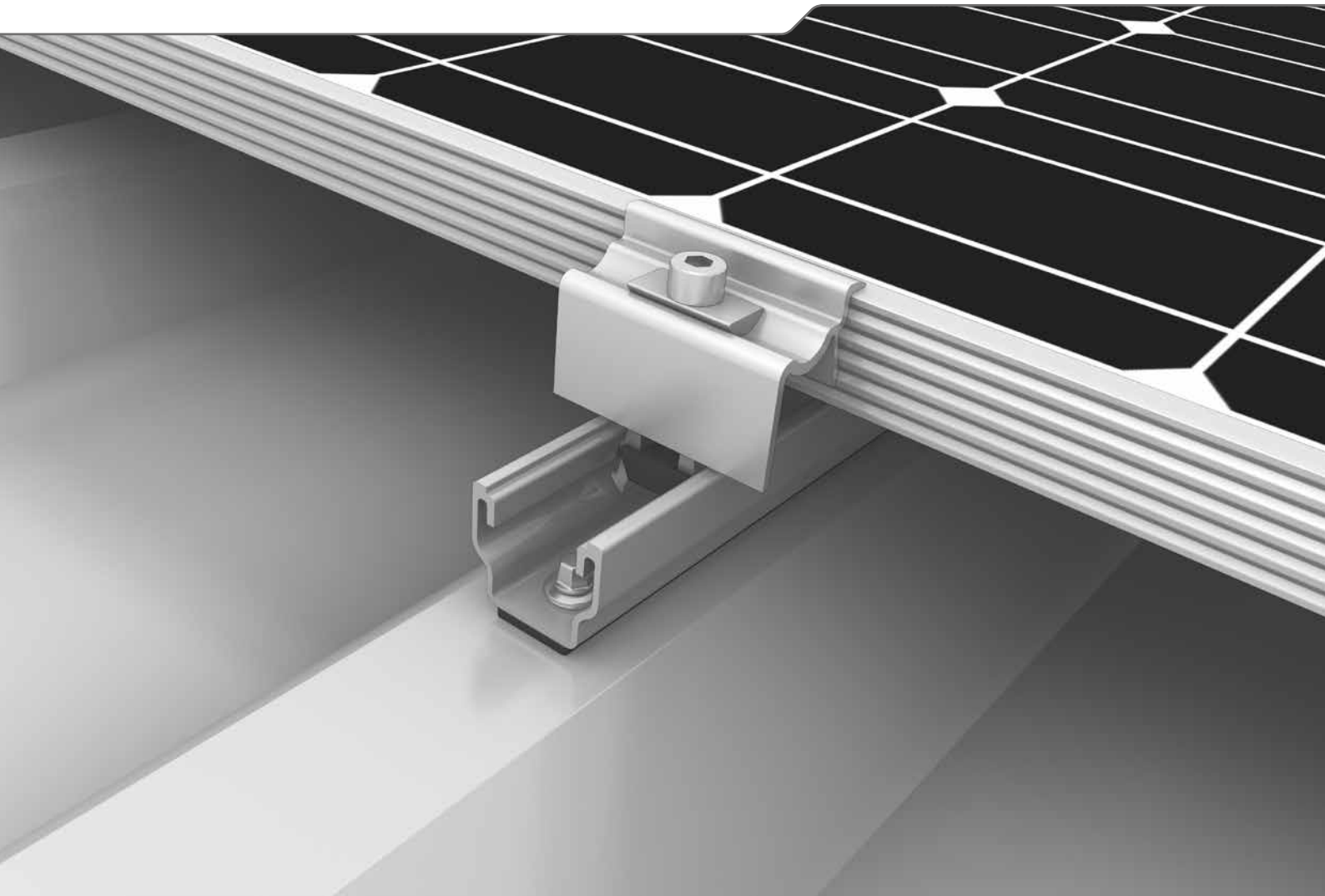
- ▶ For grid mounting and ensures easy shared-rail mounting
- ▶ Glass fibre reinforced polyamide

TECHNICAL DATA

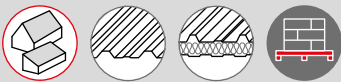
SpeedRail / SpeedClip	
Scope of application	Trapezoidal sheet roof
Fastening type / roof fixture	Insertion mounting into SpeedClips and screws in the roofing
Material	<ul style="list-style-type: none"> ▶ SpeedRail: Aluminium (EN AW-6063 T66; 0.64kg/m) ▶ SpeedClip: Glass fibre reinforced polyamide with EPDM
SpeedRail dimensions W = width [mm] H = height [mm] L = lengths [m]	63 22.5, 2.1 / 3.15 / 4.15 / 6.1
SpeedClip dimensions	See drawing
Cross-bracing with	SingleRail or SolidRail



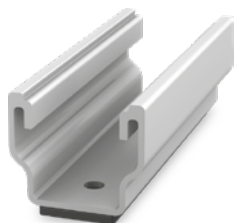
MultiRail System



- ▶ Easy and proven – as a short rail or a flexible component in various lengths
- ▶ Quick planning with less material and greater effectiveness
- ▶ Compact shipping dimensions and entirely palletised

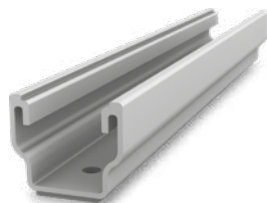


MULTIRAIL VERSIONS



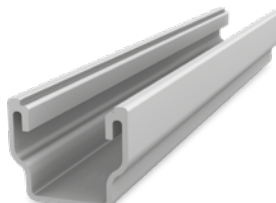
MultiRail 10/2

- ▶ Length 100 mm
- ▶ Horizontal module orientation



MultiRail 25/4

- ▶ Length 250 mm
- ▶ For more flexibility and high load demands at horizontal module orientation

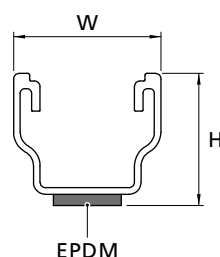


MultiRail 4.20

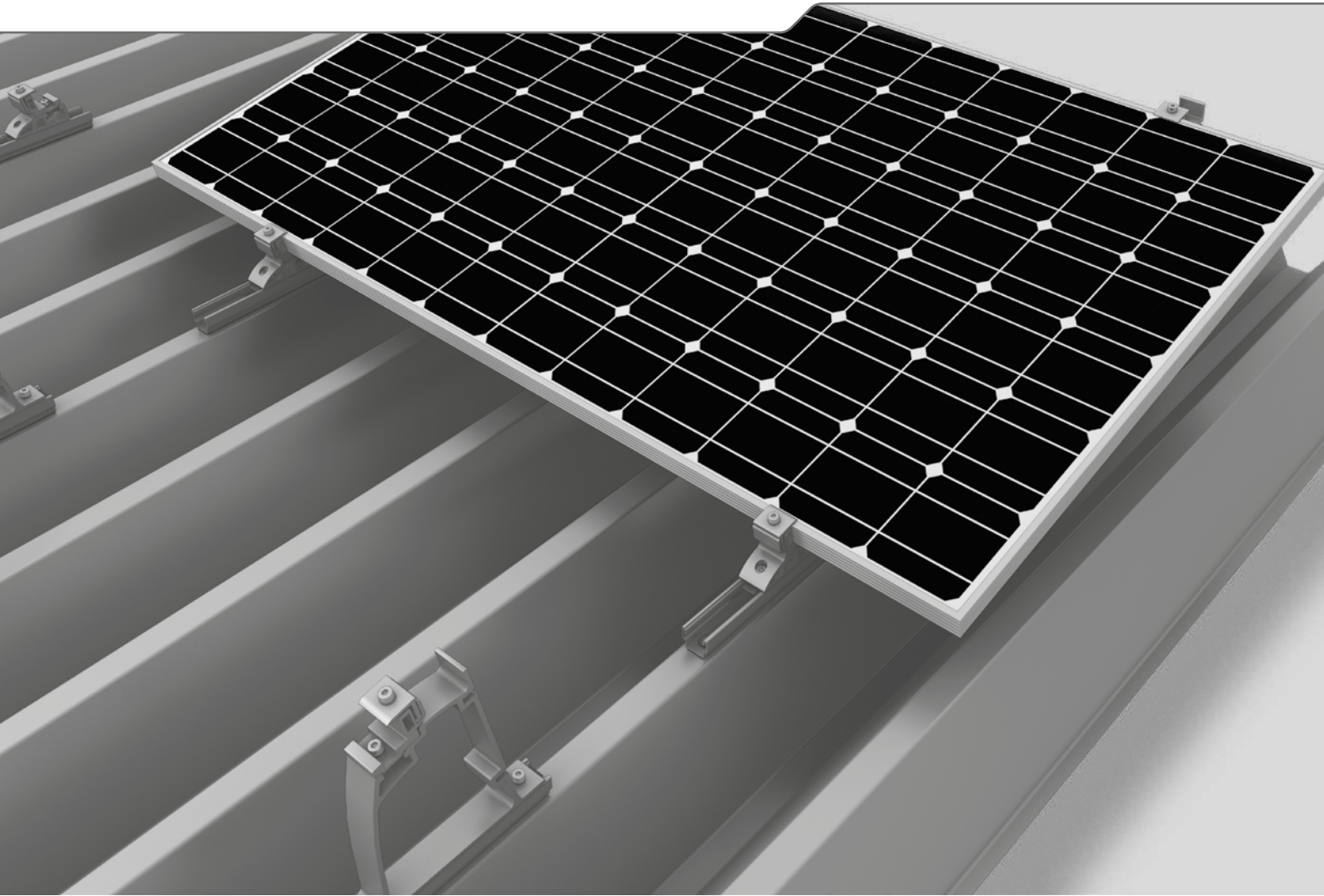
- ▶ Length 4200 mm
- ▶ Long rail for cutting to customised sizes
- ▶ Without EPDM seal; to be fastened manually with adhesive

TECHNICAL DATA

	MultiRail 10/2, 25/4, 4.20
Scope of application	Pitched roofs, 5-75°, with trapezoidal sheet metal or sandwich panel
Fastening type / roof fixture	Fastened with self-tapping sheet screws
Requirements	<ul style="list-style-type: none"> ▶ Sheet thickness: ≥ 0.5 mm (steel and aluminium) ▶ Sandwich panel: approval from manufacturer required ▶ Crest width: at least 22 mm ▶ Maximum crest width: independent of crest distance
Material	Aluminium (EN AW-6063 T66); EPDM
W = width [mm]	39
H = height [mm]	35
L = rail length [mm]	<ul style="list-style-type: none"> ▶ MultiRail 10/2: 100 ▶ MultiRail 25/4: 250 ▶ MultiRail 4.20: 4200
Cross-bracing with	SingleRail



S-Dome Small System



- ▶ For a roof inclination of up to 15° on trapezoidal sheet metal
- ▶ Economical in terms of materials and transportation; clever connections and strong holding power
- ▶ The perfect combination of the all-round MultiRail component and load-optimised, slim elevations



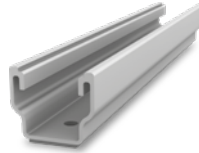
S-DOME SMALL COMPONENTS



Dome S1000 Small
Narrow elevation module support element

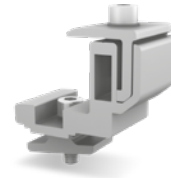


Dome SD Small
Narrow module support element



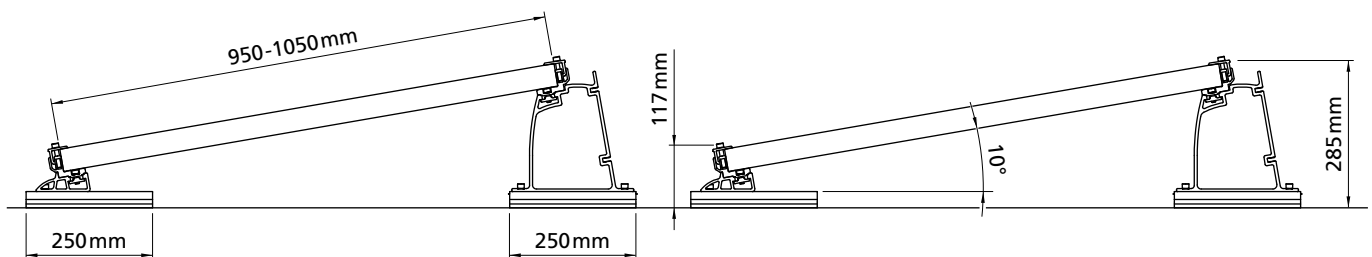
MultiRail 25/4

- ▶ Length 250 mm
- ▶ With four boreholes for roofs with 15° inclination



FlexClamp Small

- ▶ For clamping on the long side of module
- ▶ Height adjustable



TECHNICAL DATA

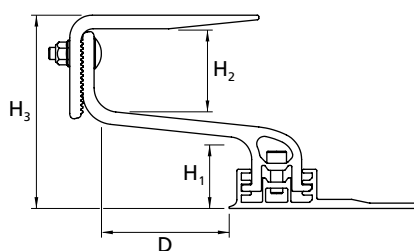
S-Dome Small	
Scope of application	Flat or pitched roofs $\leq 15^\circ$ with trapezoidal sheet metal roofing
Fastening type / roof fixture	Attached with drilling screws in trapezoidal sheets, parallel to raised crests
Requirements	<ul style="list-style-type: none"> ▶ Sheet thickness for aluminium/steel: min. 0.5 mm ▶ Tensile strength for aluminium: 165 N/mm² ▶ Tensile strength for steel: acc. to approval min. S235 in acc. with DIN EN 10025-1 ▶ Crest width: min. 22 mm ▶ Crest spacing: independent of crest distance
Inclination angle	10°
Material	<ul style="list-style-type: none"> ▶ Mounting rails, Dome SD Small, Dome S1000 Small, FlexClamp Small: Aluminium (EN AW-6063 T66/ EN AW-6082 T6); EPDM ▶ Small parts: Stainless steel (1.4301) A2

Overview of roof fastenings

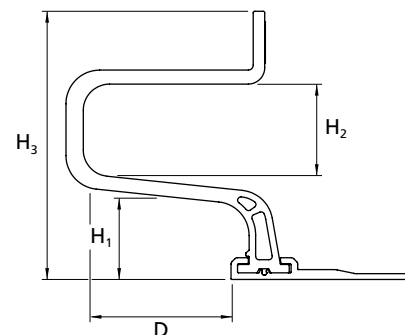
CROSSHOOKS AND SINGLEHOOKS FOR CROSSRAIL AND SINGLERAIL

Type / image	Base plate width [W]	Height under bracket [H ₁] Bracket height [H ₂] Total height [H ₃]	Bracket depth [D]	Item no.
CrossHook 3S 	100 mm	▶ 40/47/54 mm ▶ 56 mm ▶ approx. 123/130/137 mm	83 mm	2000133
CrossHook 4S 	100 mm	▶ 40/47/54 mm ▶ 55 - 85 mm ▶ 120.5 - 165 mm	83 mm	2000466
SingleHook 1.1 * 	100 mm	▶ 47.1 mm ▶ 56 mm ▶ 162.9 mm	83 mm	2001928
CrossBoard für CrossHook 3S/4S 	2100 mm	▶ 40/47/54 mm ▶ 56/55 - 85 mm ▶ approx. 123/130/137/ 120.5 - 165 mm	83 mm	2001972
CrossHook 2G 	100 mm	▶ 40/47/54 mm ▶ No spacing ▶ 89.2 mm	-	2000636
CrossHook 2 (BS EN 490) 	150 mm	▶ 44 mm ▶ 46 mm ▶ 100 mm	116 mm	1004900
SingleHook FT 	30 mm	▶ 16 mm ▶ 68 mm ▶ 141 mm	120 mm	2002568
SingleHook Vario 	100 mm	▶ 45 - 65 mm ▶ 68 mm ▶ 172 - 192 mm	110 mm	2002651

Dimension drawing for CrossHook


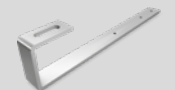



Dimension drawing for SingleHook

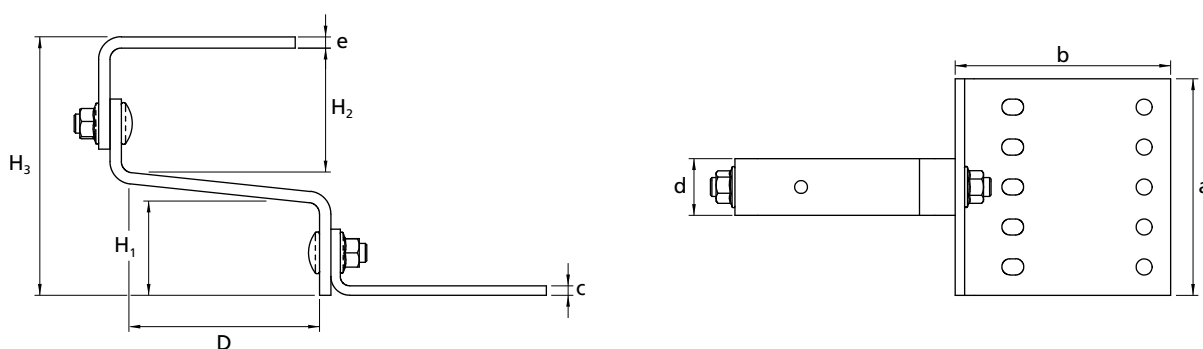


* Suitable exclusively for SingleRail

STAINLESS STEEL ROOF HOOKS FOR SOLIDRAIL

Type /Figure	Base plate [a x b x c]	Bracket [d x e]	Bracket [H ₁]/[H ₂]	Total height approx. [H ₃]	Bracket depth [D]	Item no.
Pantiles  	150 x 60 x 5 mm	30 x 6 mm	47/65 mm	134 mm	98 mm	1000001
	180 x 80 x 4 mm	35 x 6 mm	38/69 mm	124 mm	91 mm	1000096
	180 x 80 x 4 mm	35 x 6 mm	38/89 mm	150 mm	91 mm	1000653
	180 x 80 x 5 mm	40 x 8 mm	47/55 mm	121 mm	87 mm	1000764
Vario 1  	150 x 60 x 5 mm	30 x 6 mm	43/41 - 71 mm	112 - 145 mm	95 mm	1000125
Vario 2  	140 x 55 x 5 mm	30 x 6 mm	49 - 57/41 - 69 mm	108 - 137 mm	94 mm	1000107
Plain tile  	40 x 50 mm	40 x 6 mm	33/62 mm	122 mm	189 mm	1000214
Plain tile, double roofing  	150 x 45 mm	150 x 60 mm	33/66 mm	103 mm	235 mm	1000074
Slate roofing  	40 x 250 mm	40 x 65 mm	-/60 mm	72 mm	72 mm	1000373
Coppo  	150 x 60 x 5 mm	30 x 5 mm	18/88 - 118 mm	123 - 153 mm	120 mm	1001068

Dimension drawing

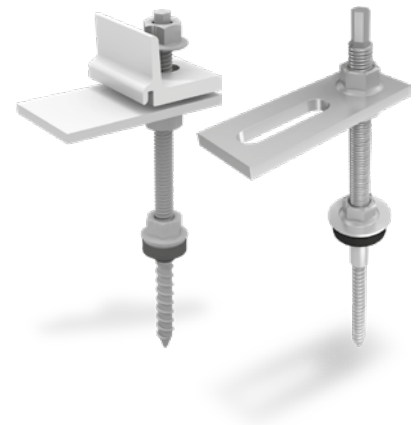


Overview of roof fastenings

HANGER BOLTS

For timber substructures

For fastening the K2 SolidRail, SingleRail and CrossRail mounting rails on roofs with corrugated fibre cement or sheet metal on timber substructures. The K2 hanger bolts are equipped with an extra-long metric thread for installation height adjustment. Hanger bolts are outfitted with a pre-mounted adapter plate.



CrossRail / SingleRail Hanger Bolts

Type	Item number
M10×180, hexagonal SW 7 mm	1006166
M10×200, hexagonal SW 7 mm	1006167
M10×250, hexagonal SW 7 mm	1006168
M12×200, hexagonal SW 9 mm	1006169
M12×250, hexagonal SW 9 mm	1006170
M12×300, hexagonal SW 9 mm	1006171
M12×350, hexagonal SW 9 mm	1006172
M12×400, hexagonal SW 9 mm	1006173

SolidRail Hanger Bolt

Type	Item number
M10×180, hexagonal SW 7 mm	2000120
M10×200, hexagonal SW 7 mm	2000121
M10×250, hexagonal SW 7 mm	2000122
M12×200, hexagonal SW 9 mm	2000123
M12×250, hexagonal SW 9 mm	2000124
M12×300, hexagonal SW 9 mm	2000125
M12×350, hexagonal SW 9 mm	2000126
M12×400, hexagonal SW 9 mm	2000127

SOLAR FASTENER

For steel, timber and concrete substructures

Solar fasteners (stainless steel) for attaching the K2 mounting rails on roofs with trapezoidal sheet metal, corrugated fibre cement or corrugated sheet metal. Matching M10/M12 adapter plates are available separately.



Steel: Solar fastener Ø 8.0 with M10×50 screw thread, E16 dome

Type	Item number
8×64 / 50, length 114 mm	1001491
8×80 / 50, length 130 mm	1002586
8×100 / 50, length 150 mm	1001636
8×125 / 50, length 175 mm	1001412
8×150 / 50, length 200 mm	1001134
8×160 / 50, length 210 mm	1000666
8×200 / 50, length 250 mm	1001751



Steel: Solar fastener Ø 8.0 with M10×50 screw thread, FZD

Type	Item number
8×64 / 50, length 114 mm	1002218
8×80 / 50, length 130 mm	1001435
8×100 / 50, length 150 mm	1001400
8×125 / 50, length 175 mm	1001459
8×150 / 50, length 200 mm	1000985
8×160 / 50, length 210 mm	1004095
8×200 / 50, length 250 mm	1001838



Timber: Solar fastener Ø 8,0 mm
M10×50/70 mm,
metric thread
E14 calotte or
FZD sealing made of EPDM
On request



Concrete / aerated concrete:
Solar fastener Ø 8,0 mm
M10×50/70 mm, metric thread
E14 calotte or FZD sealing made
of EPDM
On request



STANDING SEAM CLAMPS



Our seam clamps are used to fasten the K2 mounting rails onto standing seam roofs or rounded seams. We offer seam clamps for steel or aluminium roofs.

K2 Round Seam Clamp

For Kalzip roofs with rounded seam ends
Screw: M10
Clamping screw: M8
Sheet thickness: 3 mm
Material: Stainless steel
Item no. 2001853



S-5! Z-Mini-FL Round Seam

For Kalzip roofs with rounded seam ends
Slot: 11×22
Clamp: Grub screw
Material: Aluminium
Item no. 1000888



K2 Standing Seam Clamp

For standing seam metal roofs
Screw: M10
Clamping screw: M8
Sheet thickness: 2.5 mm
Material: Stainless steel
Item no. 2001712



S-5! E-Mini-FL Standing Seam

For Kalzip standing seam metal roofs
Slot: 11×22
Clamp: Set screw
Material: Aluminium
Item no. 1001052



Rib-Roof Evolution Round Seam

For Rib-Roof Evolution seam metal roofs with rounded seams
Screw: M10
Clamping screw: M8
Material: Aluminium
Item no. 2002226



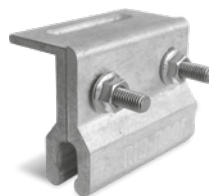
Rib-Roof Speed 500 Standing Seam

For Rib-Roof Speed 500 standing seam metal roofs
Screw: M10
Clamping screw: M8
Material: Aluminium
Item no. 2002225



Rib-Roof 465 Standing Seam

For Rib-Roof 465 standing seam metal roofs
Screw: M10
Clamping screw: M8
Material: Aluminium
Item no. 2002118



Accessories

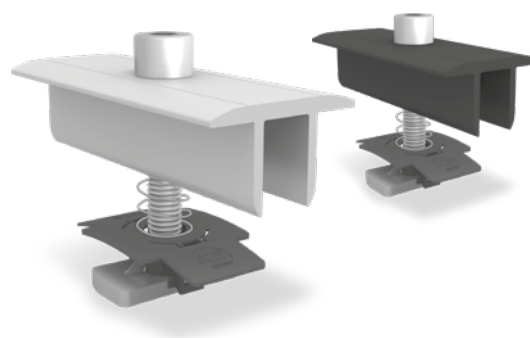
▶ Module clamps	22
▶ Self-drilling wood screw, flange head	24
▶ Self-tapping hexagon screw with sealing washer	24
▶ T-bolt and flange nuts with serration	24
▶ MK2 slot nuts with assembly clip	24
▶ Self-drilling wood screw, flange head, underhead secondary thread	25
▶ Self-drilling wood screw, countersunk head	25
▶ Screw anchor, Multi Monti	25
▶ CrossRail/SingleRail End Caps	26
▶ SolidRail End Caps	26
▶ Lightning protection clamp Multi Sets	26
▶ TerraGrif equipotential bonding	26
▶ Pad spacer	27
▶ Height Compensator for aluminium roof hooks	27
▶ Cable clips	27

MODULE CLAMPS

Our module clamps can be easily mounted to any K2 rail. The MK2 slot nut automatically locks in place and can be moved in the rail by pressing lightly on the Allen bolt.

Module middle clamps XS

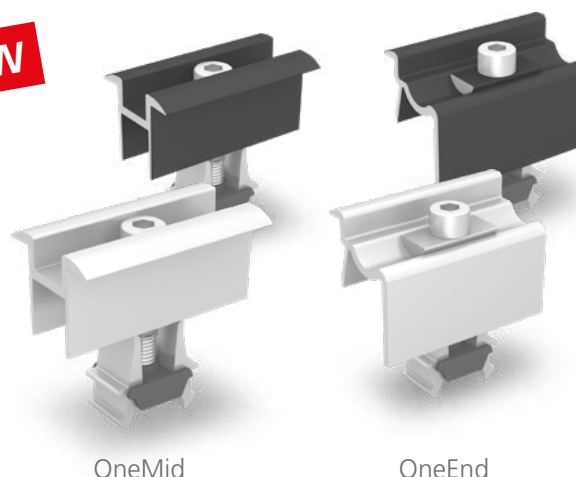
Module frame height / description	Item number
30-33 mm/M8×50, aluminium mill finish	1005156
30-33 mm/M8×50, black anodised	1005157
39-44 mm/M8×60, aluminium mill finish	1004908
39-44 mm/M8×60, black anodised	1005159
45-48 mm/M8×65, aluminium mill finish	1005143
45-48 mm/M8×65, black anodised	1005160
49-50 mm/M8×70, aluminium mill finish	1004407
49-50 mm/M8×70, black anodised	1005161



NEW

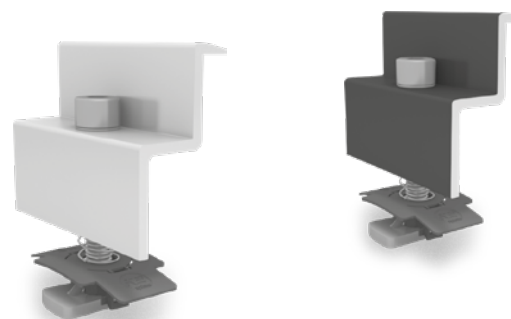
Universal module clamps OneMid and OneEnd

These module clamps are suitable for the most common module frame heights of 32-42 mm. Compatible with SingleRail, CrossRail, SpeedRail, Multi-Rail, SolidRail plus S- and D-Dome.



Description	Item number
OneMid, mid clamp, aluminium mill finish	2002515
OneMid, mid clamp, black anodised	2002588
OneEnd, end clamp, aluminium mill finish	2002514
OneEnd, end clamp, black anodised	2002589

Module end clamps



Module frame height / description	Item number
30-31 mm/M8x30, aluminium mill finish	1005345
30-31 mm/M8x30, black anodised	1005347
42-44 mm/M8x35, aluminium mill finish	1005291
42-44 mm/M8x35, black anodised	1005295
45-47 mm/M8x40, aluminium mill finish	1005171
45-47 mm/M8x40, black anodised	1005270
48mm/M8x40, aluminium mill finish	1005292
48mm/M8x40, black anodised	1005296
49-50 mm/M8x45, aluminium mill finish	1005172
49-50 mm/M8x45, black anodised	1005271

Module clamps for laminate modules

Module middle clamps for fastening laminate modules; approved for First Solar and Calyxo thin-film modules; small module spacing. Material: Aluminium mill finish, EPDM

Please note: For additional anti-slip protection the K2 Slideguard is suitable for vertical mounting of laminate modules with a glass thickness of 6-9mm. Material: Stainless steel 1.4016, EPDM



Type / accessory	Item number
Module middle clamp	1003157
Module end clamp	1003158
Slideguard	1005828

Accessories

SELF-DRILLING WOOD SCREW, FLANGE HEAD

Self-drilling wood screw with flange head (Topix) and star socket (Torx) from Heco. With European Technical Assessment (ETA) approval. Material: Stainless steel A2, matches TX 25/40 screwdrivers

Type	Item number
6x80	1005837
6x100	1004978
8x80	1000642
8x100	1000656
8x120	1001525
8x160	1002366
8x180	1002367



SELF-TAPPING HEXAGON SCREW WITH SEALING WASHER

Approved for steel sheets with a minimum thickness of 0.5 mm and aluminium sheets with a minimum thickness of 0.7 mm (MiniRail 0.5 mm). Material: Stainless steel A2, EPDM

Type	Item number
Drilling screw, SW 8, sealing washer Ø 16 mm 6 x 25 mm	1000212
6 x 36 mm	1001622
Thin sheet screw, virtually chip-free, SW 8, sealing washer Ø 16 mm 6 x 25 mm	1005207
6 x 38 mm	1005193



Drilling screw



Thin sheet screw

T-BOLT AND FLANGE NUTS WITH SERRATION

T-bolt for use in the lower chamber of K2 SolidRail rails. Head form: 28/15; head dimensions: 22.5 x 10.5 x 4 mm
Material: Stainless steel A2 1.4301

Type	Item number
M10x20	1000637
M10x30	1000041
M8x20/30	1000614/1000368



The flanged nut with serration (similar to ISO 4161) prevents it from loosening.

Material: Stainless steel A2

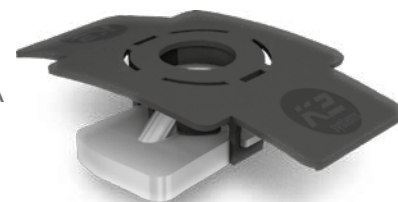
Type	Item number
M8	1000043
M10	1000042



MK2 SLOT NUTS WITH ASSEMBLY CLIP

The MK2 slot nuts lock into place and can be readjusted at any point on the K2 rails by pressing lightly.

Material: Stainless steel 1.4301, PA
Item number: 1001643



SELF-DRILLING WOOD SCREW, FLANGE HEAD, UNDERHEAD SECONDARY THREAD

Self-drilling wood screw (Heco) with flange head (Topix) and star socket (Torx). With building approval. For mounting with over-rafter insulation. Fixes the counterbattens in place using a second screw thread under screw head. Material: Stainless steel A2; matches TX 40 screwdrivers



Type	Item number
8 x 240	1003437
8 x 300	1003438
8 x 360	1003439

SELF-DRILLING WOOD SCREW, COUNTERSUNK HEAD

Self-drilling wood screw with countersunk head (Heco). With building approval. Material: Stainless steel A2; matches TX 25 screwdrivers



Type	Item number
6 x 120	1004443
6 x 160	1001607

SCREW ANCHOR, MULTI MONTI

Multi Monti screw anchor (Heco) for fastening to concrete; min. borehole depth 40 mm. Steel surface: galvanised and blue passivated, head diameter 17 mm, nominal bore diameter 6 mm
Material: galvanised steel
Drive: TX 30

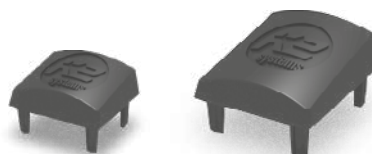


Accessories

CROSSRAIL / SINGLERAIL END CAPS

End caps for K2 CrossRail and SingleRail.
Material: Glass fibre reinforced polyamide

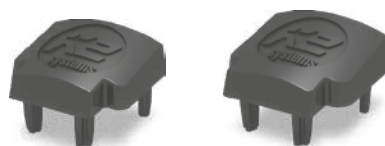
Type	Item number
CrossRail/SingleRail 36	1004767
CrossRail 48	1004768



SOLIDRAIL END CAPS

End caps for K2 SolidRail.
Material: Glass fibre reinforced polyamide

Type	Item number
Light	1004765
Medium	1004766
Alpine	1005053



LIGHTNING PROTECTION CLAMP MULTI SETS

Lightning protection clamp for clamping lightning protection cables with Ø 8 mm.
For universal use as a T cross, parallel and impact clamps. Material: aluminium

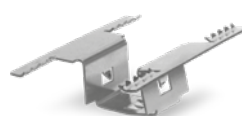


Image	Type	Components	Item number
	Lightning protection clamp Multi Alu 8 mm Set	<ul style="list-style-type: none"> Lightning protection clamp Multi (1003151), aluminium Slot nut (1001643), stainless steel, PA Washer (8,4 × 20 × 1.2 mm), stainless steel A2 Allen Bolt (M8×30), stainless steel A2 	2002473
	Lightning protection clamp 8mm Double Set	<ul style="list-style-type: none"> 2× lightning protection clamps Multi (1003151), Aluminium Hexagon flange nut with serration M8 (100043); stainless steel A2 2× washers (8.4 × 20 × 1.2 mm), stainl. steel A2 Allen Bolt (M8×40), stainless steel A2 	2002474

TERRAGRIF EQUIPOTENTIAL BONDING

Equipotential bonding between module and rail.
Material: Stainless steel

Type	Item number
TerraGrif K2MI Landscape/Portrait	2002649
TerraGrif K2PA 32 Landscape	2000055
TerraGrif U17 Portrait	2000056
TerraGrif K2SZ Landscape/Portrait	2001881



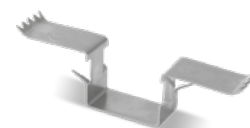
K2MI



K2PA



U17



K2SZ

PAD SPACER

PA spacer shim to compensate for height differences when mounting K2 roof hooks with screw threads and K2 rails (except SolidRail).

Any number of spacer shims can be stacked to provide customised height.

Material: Glass fibre reinforced PA

Material thickness: 2 mm

Item no.: 1002361



HEIGHT COMPENSATOR FOR ALUMINIUM ROOF HOOKS

To compensate for batten differences so that the bracket height of each roof hook can be individually adjusted.

Material: Aluminium

Material thickness: 4 mm

Item no.: 2002332

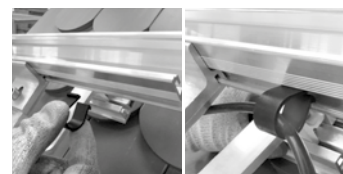


CABLE CLIPS

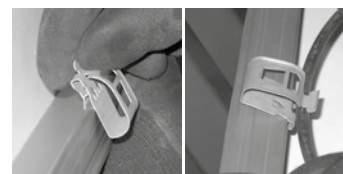
Type	Item number
Omega Cable Clip Suitable for CrossRail, SingleRail, SolidRail, S-Rock 4 cables with Ø 6 mm Material: Polypropylene with UV stabiliser	1005394
Cable Routing Clip Suitable for clamping in module frames with a thickness of 1.5-2.5 mm and S-Rock 4 cables with Ø 6 mm Material: Spring steel	2002322



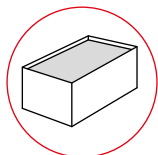
Omega Cable Clip



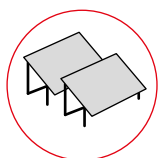
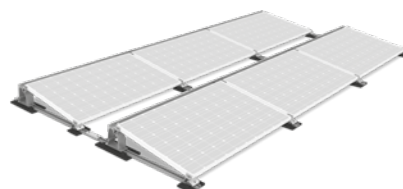
Cable Routing Clip



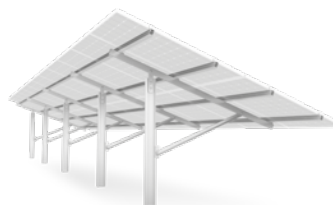
OTHER K2 SYSTEMS



▶ Flat roof systems



▶ Ground mounted systems



K2 Systems GmbH

Industriestraße 18
71272 Renningen
Germany

Tel. +49 (0) 7159-42059-0
Fax +49 (0) 7159-42059-177

info@k2-systems.com
www.k2-systems.com