



AXIstorage Li 10S

High-performance lithium-ions-energy storage for residential, e-mobility and commercial applications

Advantages:



10 kWh capacity



Flexible configuration:
up to max. 1.440 kWh Off-Grid
up to max. 480 kWh On-Grid



Permanent charging performance of up to 5 kW (90A)
Permanent discharge performance of up to 8.1 kW (150A)



Up to 20 years of life time due to an optimized cooling system



10 years of time value replacement warranty



3 units stackable



10
kWh
capacity

1.440
kWh
flexible

AXIstorage Li 10S

Electrical Data

	SMA
Energy Storage Capacity	10 kWh
Nominal Voltage	54,0 V
Nominal Capacity	186,3 Ah
Charging Power	up to 5 kW (90 A)
Discharging Power	up to 8,1 kW (150 A) + 300 A Peak (for 3 sec.)
DoD	ca. 80%
Life Time	max. 40 MWh
Efficiency	up to 97% (at 25°C)
Cooling	active fan
Range of Temperature	0 - 45°C
Max. Air Humidity (not condensing)	85%
BMS (Battery Management System)	integrated

Mechanical Data

	SMA
Technology	Lithium (NCA)
H x W x D	536 x 675 x 475 mm
Weight	104 kg
Protection Category	IP21
Certifications and Standards:	IEC62897Ed1, DIN EN50272-1/2, 61427-1/2, 61508, 62281, 60950-1, 62619 (draft standard), 62620, CE + UN38.3

Safety

- Double wall housing
- Elevated construction to protect against water damage
- Monitoring of current, voltage and temperature
- Single cell monitoring
- State of charge determination and battery monitoring (SOC + SOH)
- Passive balancing

Included in Delivery

- 50 mm² connecting cable, length 2 m
- NH disconnect (without NH-fuse)
- Integrated communication interface CAN, CANopen, Mod Bus, RS232, RS485

Compatibility

- SMA Sunny Island: 4.4 / 6.0 / 8.0

Accessories for System Expansion

- Master Unit for 2 to 12 storages used in parallel
- Optionally expandable with SMA Multicluster Box 6 / 12 / 36

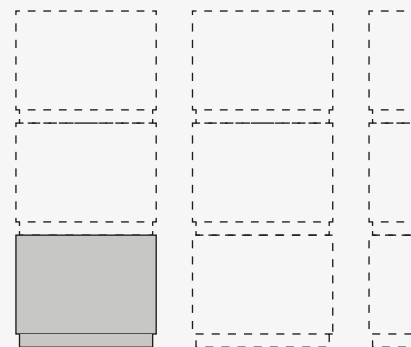
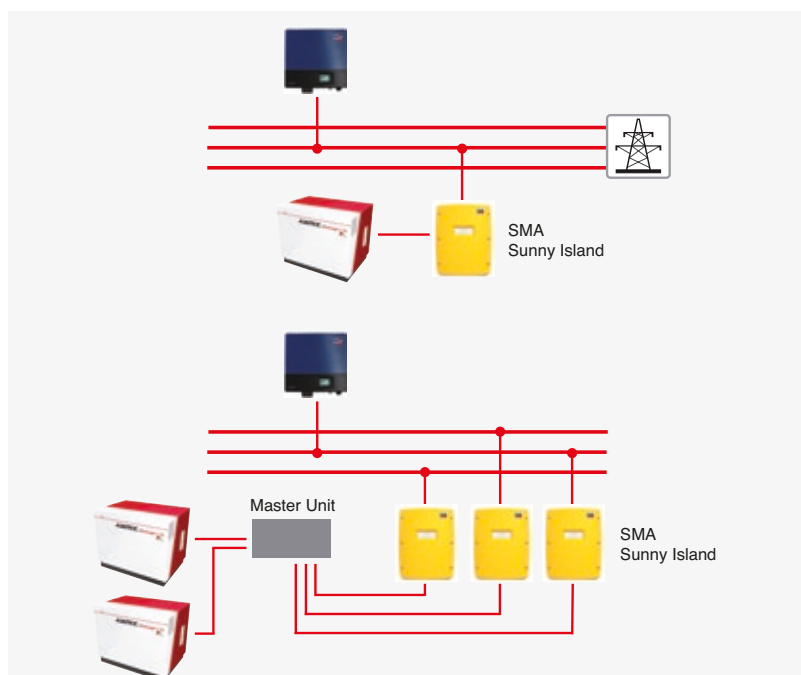


Fig. similar

flexibly expandable for 2 to 144 storages = 1.440 kWh